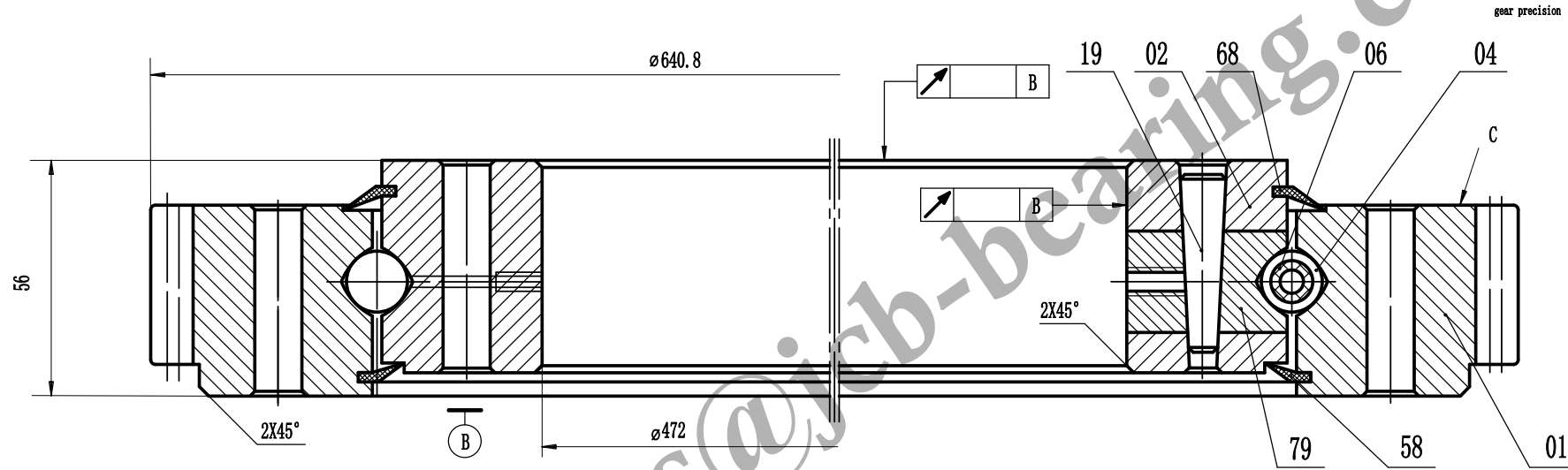




| | | |
|-----------------------|----------------|-----|
| Module | m | 6 |
| Number of teeth | z | 105 |
| Addendum modification | x | 0 |
| Pressure angle | a | 20° |
| Accuracy grade | 10-ISO 1328/97 | |



Remark:

1. Luoyang JCB Bearing Technology Co., Ltd is a technical Inc, specialize in designing and manufacturing slewing ring bearing, we can design and manufacture all kinds of slewing bearing according to client's requirement.
2. This drawing is reference for user, if you need formal drawing, please contact with us sales@jcb-bearing.com, the official drawing will be submitted after order confirmation.

Contact information

Company Address : No. 285, Fenghua road, Luoyang, Henan, China.

Postal code : 471000

Phone : 86-379-68611678 Fax : 86-379-68611679

E-mail: sales@jcb-bearing.com

Reserved E-mail: sales@slewing-ring-bearings.com

Website: www.jcb-bearing.com

www.slewing-ring-bearings.com

| 58 | second seal | 1 | oil resistant rubber | | | |
|-----|-------------|-----|----------------------|--------------------|-------|---|
| 68 | seal | 1 | oil resistant rubber | | | |
| 79 | plug | 1 | steel | | | |
| 19 | taper pin | 1 | steel | | | |
| 06 | cage | | nylon | | | |
| 04 | steel ball | | steel | | | |
| 02 | inner ring | 1 | steel | | | |
| 01 | outer ring | 1 | steel | | | |
| No. | name | qty | material | unit | total | |
| | | | | weight | (kg) | |
| | | | | 11-20 0541/1-02123 | | |
| | | | | Weight(kg) | | |
| | | | | 43 | | |
| | | | | total page 8 | | page No. 1 |
| | | | | | | Luoyang JCB Bearing Technology Co., Ltd |

Series 120